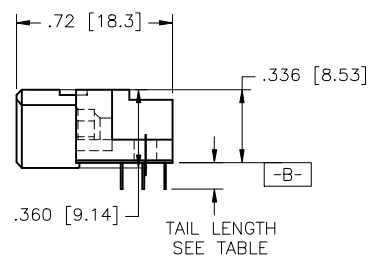
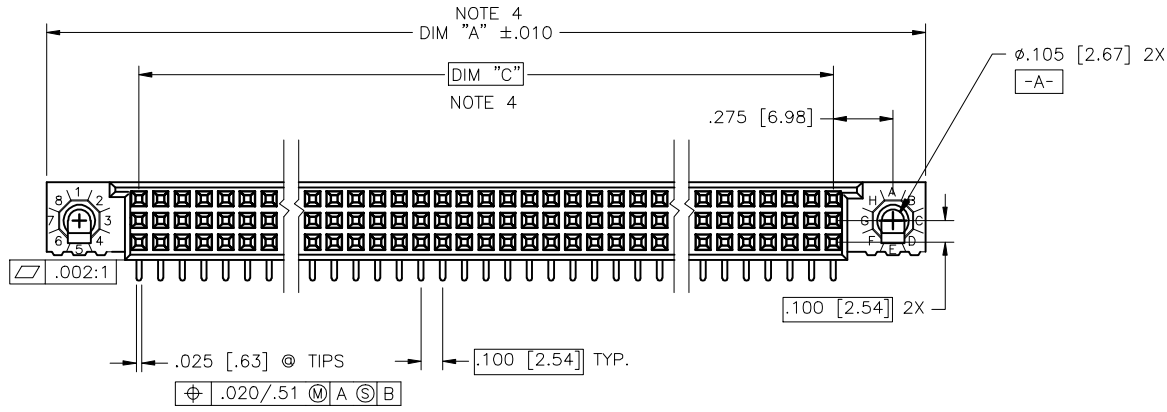
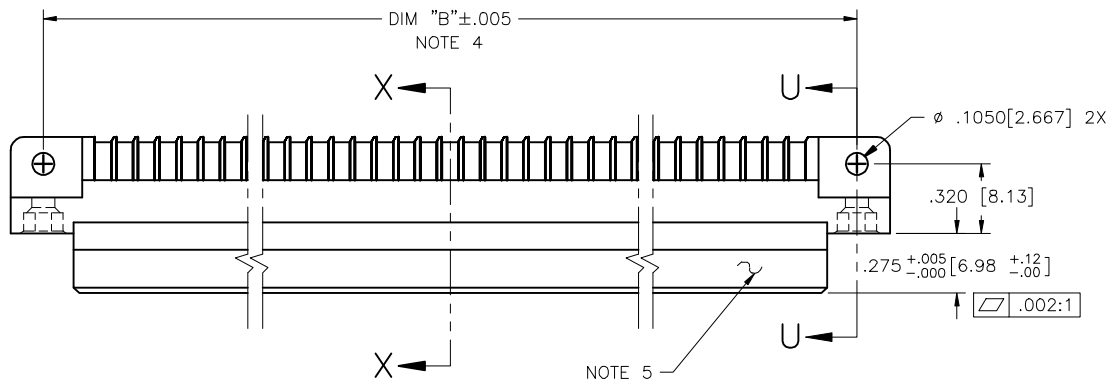


PRODUCT NUMBER
SEE TABLE



mat'l. code SEE NOTE 3				surface ISO 1302	tolerance ISO 406 ISO 1101	projection INCH/MM	product family HPC
ltr	ecn no	dr	date	tolerances unless otherwise specified		INCH/MM	title 3 ROW R/A RECEPTACLE GENERIC, MOUNT, S.T.B. 0 G.P.
H	V92128	HTB	6/3/99	angles	.XX±.01/XX±0.3		
J	V00228	JWS	1/21/00	linear	.XXX±.006/XXX±0.13	scale 1:1	dwg no 50579
K	V20646	MEM	5/24/02	0'±2'	.XXX±.0020/XXX±0.05	sheet 1 of 2	size A3
L	V05-0630	DCH	7/05/05	dr	D.HORCHLER 7/5/05	type Product Customer Drawing	
M	V05-1041	HTB	11/14/05	engr	D.HORCHLER 7/5/05		
N	M06-0255	MHT	7/06/06	chr	T.BREWBAKER 7/5/05		
P	M08-0308	MHT	10/23/08	appd	D.HORCHLER 7/5/05		
sheet	revision	P	P				
index	sheet	1	2				

FCJ
 FCconnect.com
 Copyright FCJ

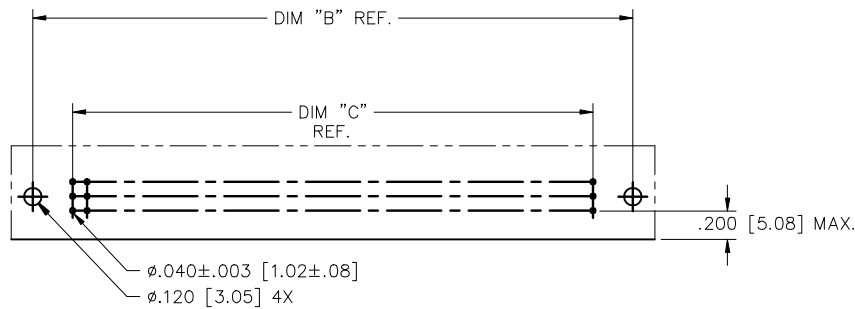
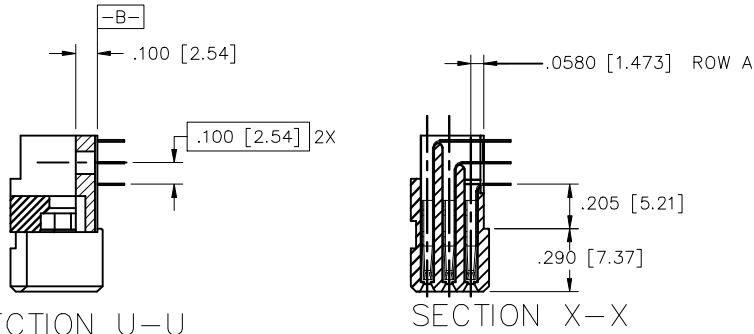
PRODUCT NUMBER	NUMBER OF POSITIONS	TAIL LENGTH ±.010/.25	CONTACT AREA PLATING NOTE 8
50579-1YYYY	YYY-NOTE 1	.125 / 3.18	30u"/.76u GOLD
50579-3YYYY	YYY-NOTE 1	.125 / 3.18	50u"/1.27u GOLD
50579-5YYYY	YYY-NOTE 1	.125 / 3.18	30u"/.76u GXT
50579-5YYYYLF	YYY-NOTE 1	.125 / 3.18	30u"/.76u GXT
50579-1YYYYF	YYY-NOTE 1	.145 / 3.68	30u"/.76u GOLD
50579-3YYYYF	YYY-NOTE 1	.145 / 3.68	50u"/1.27u GOLD
50579-5YYYYF	YYY-NOTE 1	.145 / 3.68	30u"/.76u GXT
50579-5YYYYFLF	YYY-NOTE 1	.145 / 3.68	30u"/.76u GXT
50579-1YYYYH	YYY-NOTE 1	.180 / 4.57	30u"/.76u GOLD
50579-3YYYYH	YYY-NOTE 1	.180 / 4.57	50u"/1.27u GOLD
50579-5YYYYH	YYY-NOTE 1	.180 / 4.57	30u"/.76u GXT
50579-5YYYYHLF	YYY-NOTE 1	.180 / 4.57	30u"/.76u GXT

NOTES:

① PRODUCT NUMBERING CODE:
 50579 - X YYY Z LF
 X: LEAD FREE (OPTIONAL WITH GXT VERSION)
 YYY: TAIL LENGTH (SEE TABLE)
 Z: NO. OF POSITIONS (NOTE 2)
 LF: PLATING (SEE TABLE)
 50579: BASE NUMBER

PRODUCT NUMBERING CODE FOR SELECT LOAD PART NUMBERS:
 50579 - XX YYY LF
 XX: LEAD FREE (OPTIONAL WITH GXT VERSION)
 YYY: SEQUENCE NUMBER
 LF: ALWAYS 'XX'
 50579: BASE NUMBER

- ② THIS PRODUCT IS CONFIGURED IN SIZES OF 6 THRU 80 COLUMNS IN INCREMENTS OF ONE. i.e.: 6,7,8,9.....79,80.
- ③ HOUSING MATERIAL: GLASS AND MINERAL FILLED HIGH TEMP. THERMOPLASTIC. FLAME RETARDANT PER UL94V-0. COLOR: BLACK. CONTACT MATERIAL: BeCu
- DISTANCE CALCULATIONS:
 DIMENSION "A" = .100/2.54 x NO. OF COLUMNS + .75/19.1
 DIMENSION "B" = .100/2.54 x NO. OF POSITIONS + .450/11.43
 DIMENSION "C" = .100/2.54 x NO. OF POSITIONS - .100/2.54.
- ④
- ⑤ MANUFACTURE'S NAME, PART NUMBER AND LOT CODE TO APPEAR ON THIS SURFACE PER BUS-12-108.
6. THIS PRODUCT (WITH "LF" SUFFIX) MEETS EUROPEAN UNION DIRECTIVES AND OTHER COUNTRY REGULATIONS AS DESCRIBED IN GS-22-008.
7. THIS HOUSING WILL WITHSTAND EXPOSURE TO 260 DEGREES C PEAK TEMPERATURE FOR 10-30 SECONDS IN A CONVECTION, INFRA-RED OR VAPOR PHASE REFLOW OVEN.
- ⑧ PLATING OPTIONS:
 MAYBE EITHER GOLD OR GXT PLATED AT MANUFACTURER CHOICE



RECOMMENDED PCB LAYOUT
 (ALL HOLES LOCATED ON .100 [2.54] GRID UNLESS OTHERWISE SPECIFIED)

mat'l. code SEE NOTE 3		surface ISO 1302	tolerance ISO 406 ISO 1101	projection INCH/MM	product family HPC
ltr	ecn no	dr	date	title 3 ROW R/A RECEPTACLE GENERIC, MOUNT, S.T.B. 0 G.P.	
P				scale 1:1	dwg no 50579
					sheet 2 of 2 size A3
					type Product Customer Drawing
dr	D.HORCHLER	7/5/05			
engr	D.HORCHLER	7/5/05			
chr	T.BREWBAKER	7/5/05			
appd	D.HORCHLER	7/5/05			
sheet	revision				
index	sheet				